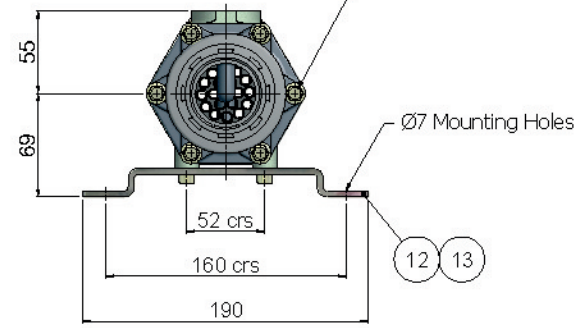
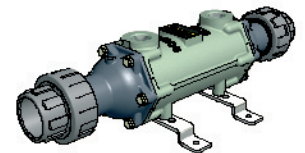
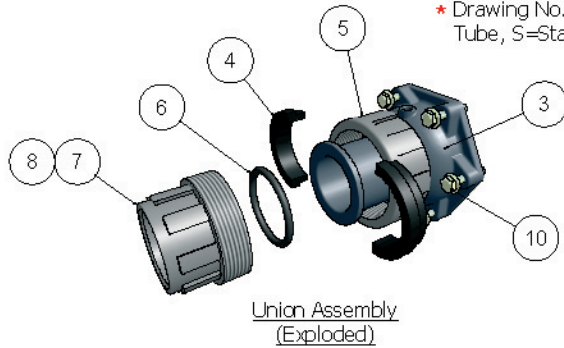


6~Flange Screws M6 x 30 Removal Of These Will Enable The End Covers And Tubestack To Be Removed.



Notes:  
 Item No's. 5, 6 7 And 8 Supplied Loose With Assembly.  
 4~M6 x 12 Socket Screws Supplied Fitted Into Mounting Feet.  
 Body To Be Painted Swimming Pool Green.  
 \* Drawing No. Suffix To Indicate Tube Material, C=Cupro Nickel Tube, S=Stainless Steel Tube And T=Titanium Tube.

	M6 x 12	4	Socket Screws	13	MS	
	4154	2	Mounting Feet	12	SS	
	3594	1	Nameplate	11	Brass	
	M6 x 30	12	Flange Screws	10	MS	
	AN12	2	Seals	9	Nitrile	
		2	Union Bush (B5)	8	GFN	
	5134	2	Union Bush (Metric)	7	GFN	
		2	Union Seals	6	EPDM	
		2	Union Nuts	5	GFN	
	4571	4	Split Rings	4	GFN	
	4567	2	End Covers	3	GFN	
	5095-2	1	Tubestack EC100	2	*	
	EC70	4568-2	1	Body EC100	1	CI
Part No.	Drg No.	Qty	Description	Item	Material	



ALL DIMENSIONS ARE IN MILLIMETRES

**E.J. BOWMAN (BERMINGHAM) LTD.**  
 Chester Street Birmingham B2 4JF England  
 Tel: +44 (0) 121 255 5555 Fax: +44 (0) 121 255 5555  
 e-mail: info@ejbowman.co.uk www.ejbowman.co.uk

DRAWN:	10/04/04	TITLE:	BOWMAN 40 TITAN
DATE:	20/11/2009		
DESIGNED:			
DATE:			
CHECKED:		DRG No:	5113-2 *
SCALE:	1:1		