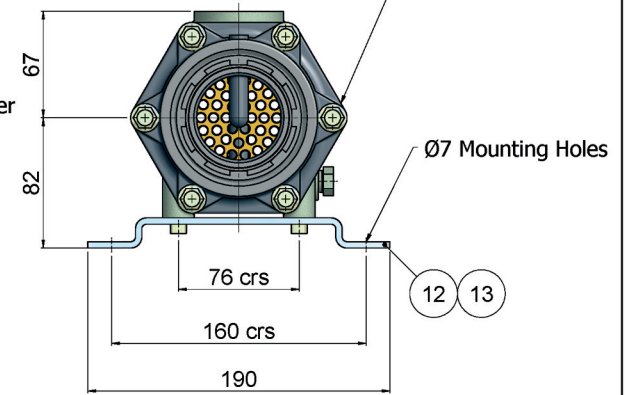
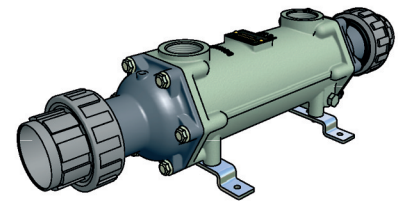
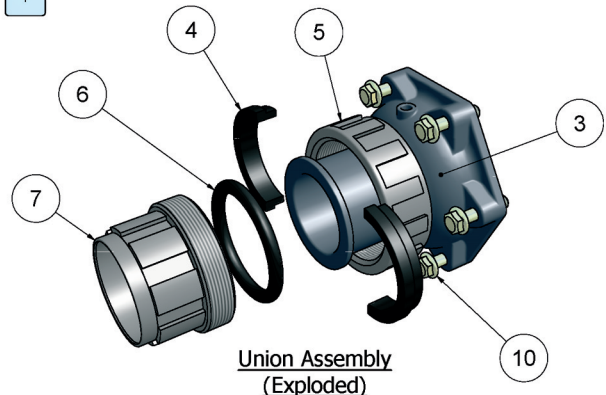


6~Flange Screws M8 x 35 Removal Of These Will Enable The End Covers And Tubestack To Be Removed.



Notes:
4~M6 x 12 Socket Screws Supplied Fitted Into Mounting Feet.
Body To Be Painted Swimming Pool Green.

	M6 x 12	4	Socket Screws	13	MS
	4154	2	Mounting Feet	12	SS
	3594	1	Nameplate	11	Brass
	M8 x 35	12	Flange Screws	10	MS
	1/4" BSP	915	Drain Plug	9	Brass
	0546NT	2	Seals	8	Nitrile
		2	Union Bush (Metric)	7	GFN
	5138	2	Union Seals	6	EPDM
		2	Union Nuts	5	GFN
	4572	4	Split Rings	4	GFN
	4575	2	End Covers	3	GFN
	5089-2TN2P	1	Tubestack FC100	2	CN10
	FC70	4668-2	Body FC100	1	CI
Part No.	Drg No.	Qty	Description	Item	Material



ALL DIMENSIONS ARE IN MILLIMETRES

E.J. BOWMAN (BIRMINGHAM) LTD.
 Chester Street Birmingham B6 4AP England
 Tel: +44(0) 121 359 9488 Fax: +44(0) 121 359 7495
 email: info@ejbowman.co.uk www.ejbowman.co.uk

DRAWN:	D.Sargeant	TITLE:	
DATE:	18/06/2008		
REDRAWN:			
DATE:			
CHECKED:		DRG No:	5114-2
SCALE:	1:1		